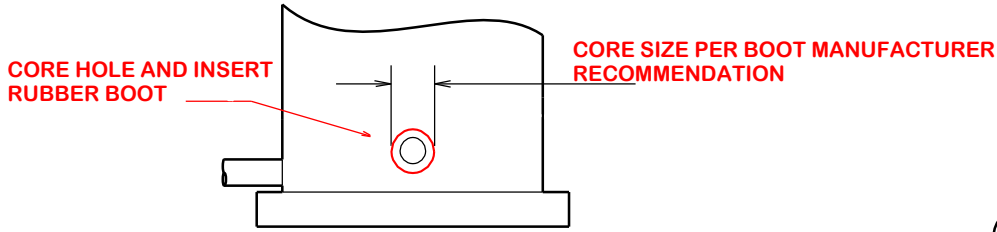
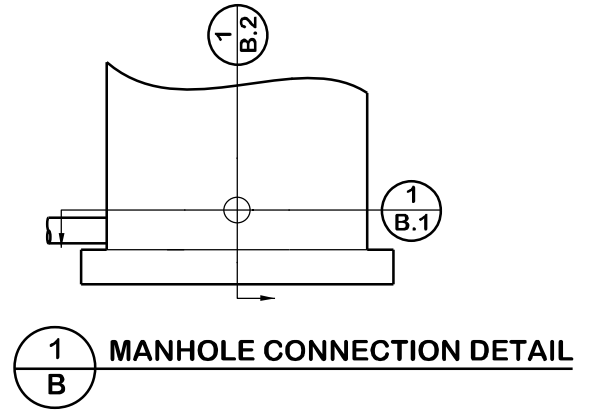
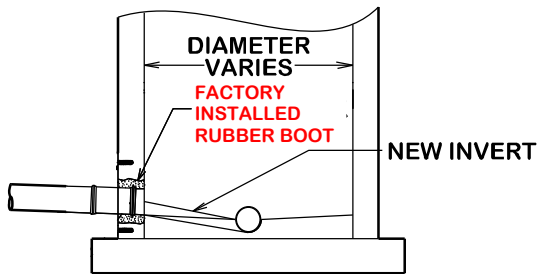


**NOTES:**

1. CONCRETE SHALL BE 3,000 P.S.I.

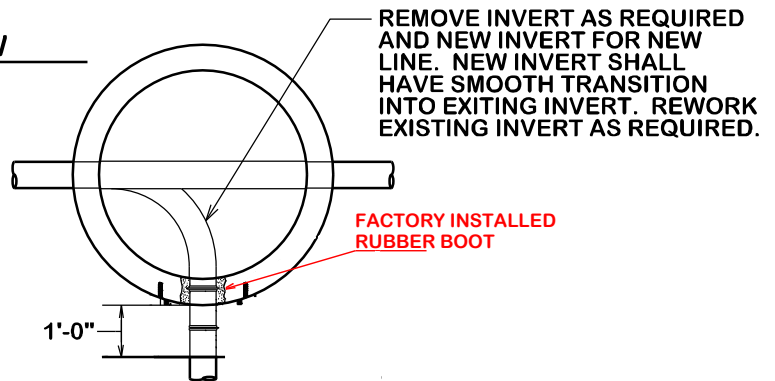


1  
A **OPENING CREATION DETAIL**



1  
B **MANHOLE CONNECTION DETAIL**

1  
B.2 **CONNECTION DETAIL SECTION VIEW**



1  
B.1 **CONNECTION DETAIL SECTION VIEW**



CITY OF BRYAN  
*The Good Life, Texas Style.*

# STANDARD MANHOLE TIE-IN

DATE

**APR 2024**

**B/CS UNIFIED  
STANDARD DETAIL**

DETAIL NO.

**S3-01**



CITY OF COLLEGE STATION