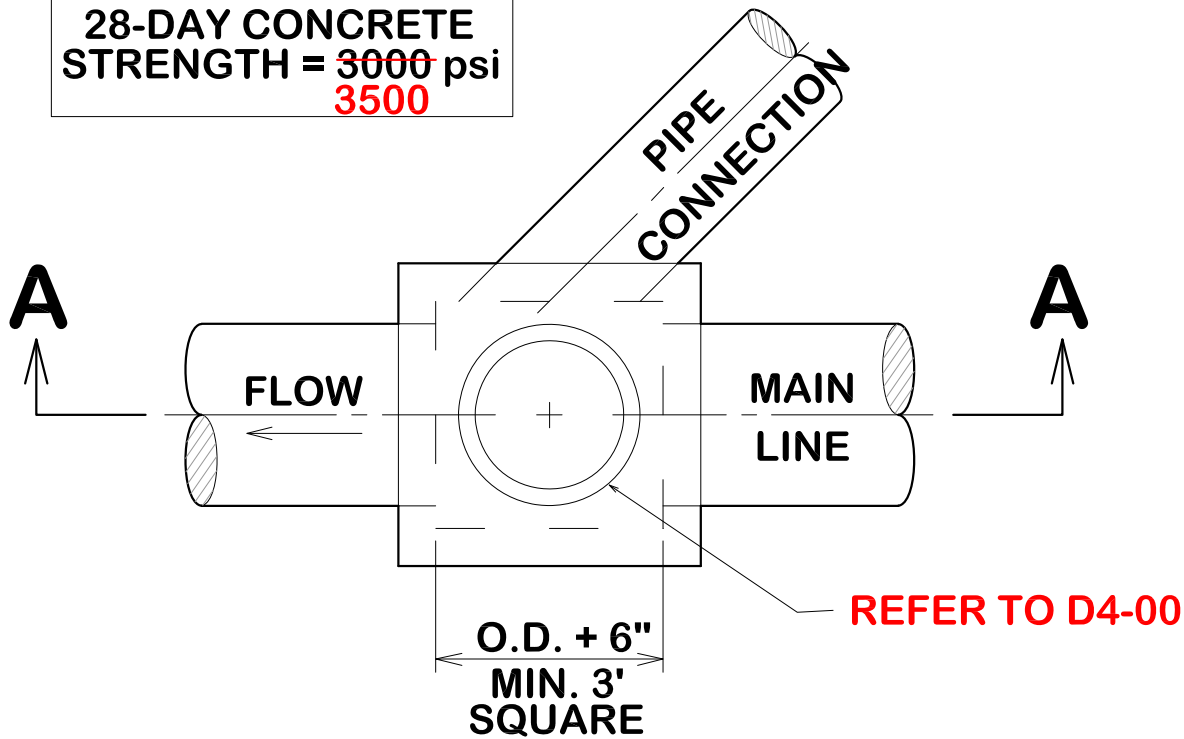
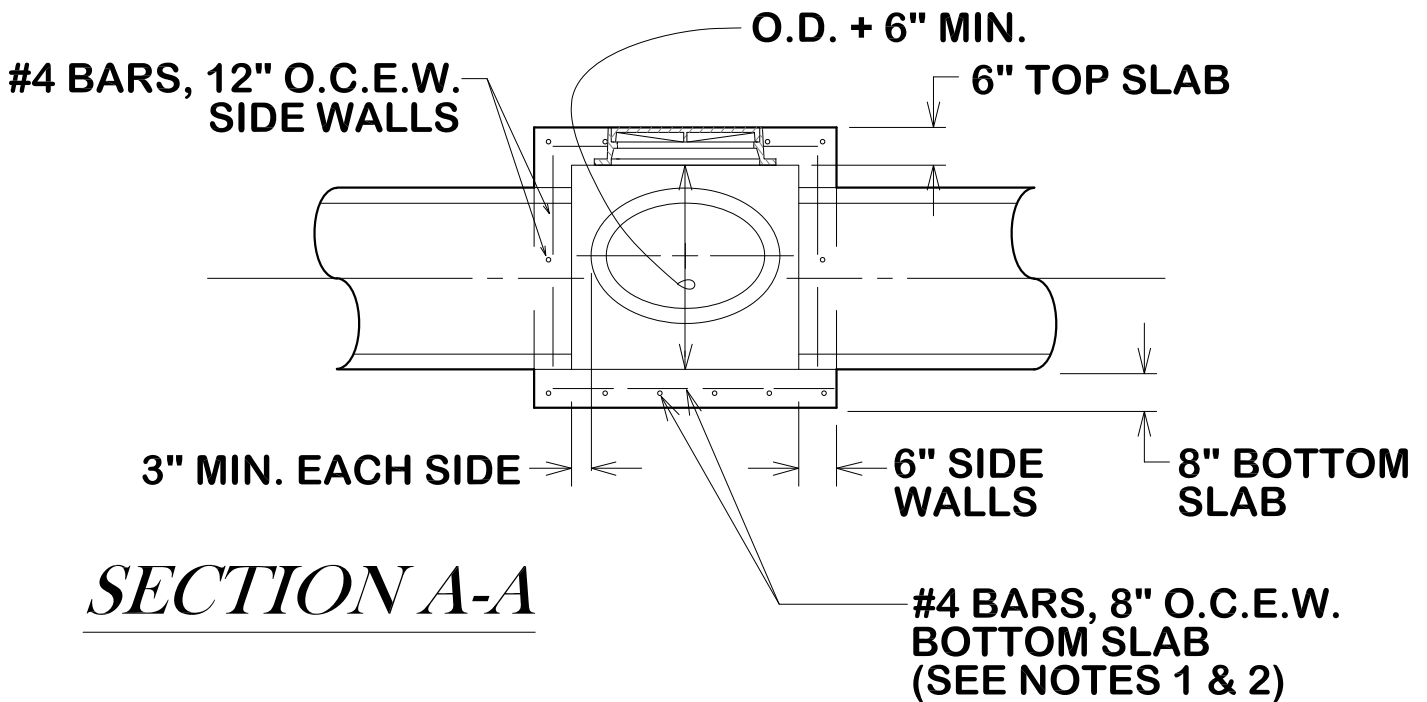


28-DAY CONCRETE
STRENGTH = ~~3000~~ psi
3500



PLAN



SECTION A-A



CITY OF BRYAN
The Good Life, Texas Style.

STORM SEWER JUNCTION BOX

DATE

DECEMBER 2020

**B/CS UNIFIED
STANDARD DETAIL**

DETAIL NO.

D1-02



CITY OF COLLEGE STATION