

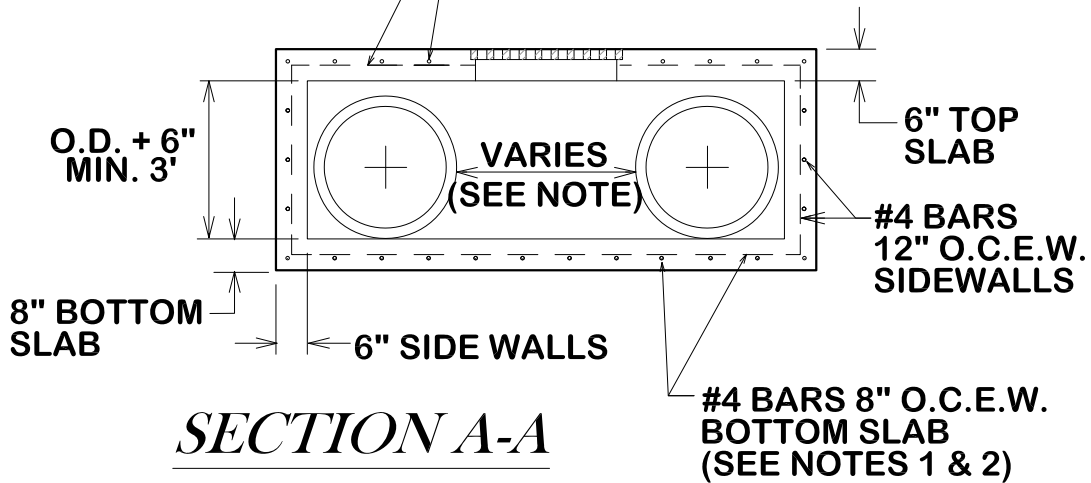
PLAN

MINIMUM DISTANCE BETWEEN  
TWO PIPES

---

18" TO 36" - 12" APART  
48" OR LARGER - 18" APART

#4 BARS 6" O.C.E.W.  
TOP SLAB



CITY OF BRYAN  
*The Good Life, Texas Style.*

# DOUBLE BARREL INLET

DATE  
**DECEMBER 2020**

**B/CS UNIFIED  
STANDARD DETAIL**

DETAIL NO.  
**D1-04**



CITY OF COLLEGE STATION