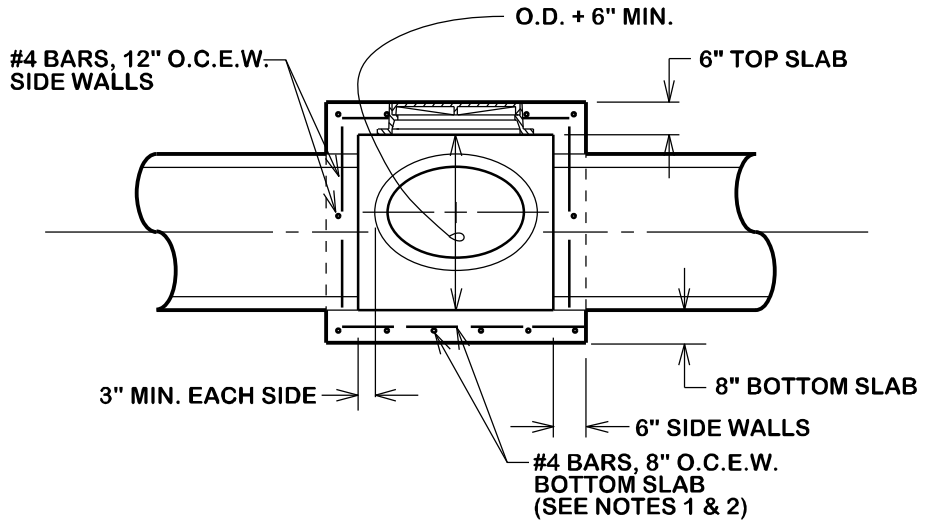


PLAN

28-DAY CONCRETE STRENGTH = 3000 psi



SECTION A-A

GENERAL NOTES:

1. BASE THICKNESS AND FOUNDATION SHALL BE AS FOLLOWS:

INLET DEPTH (FT.) (MEASURED FROM FLOWLINE TO FINAL GRADE)	BASE THICKNESS
0 - 12	8"
12 AND OVER	12"

2. DEPTHS GREATER THAN 12' WILL REQUIRE 2 MATS OF REINFORCING STEEL IN THE BASE.



CITY OF BRYAN
The Good Life, Texas Style.

STORM SEWER JUNCTION BOX

DATE

AUG. 2012

**B/CS UNIFIED
STANDARD DETAIL**

DETAIL NO.

D1-02



CITY OF COLLEGE STATION