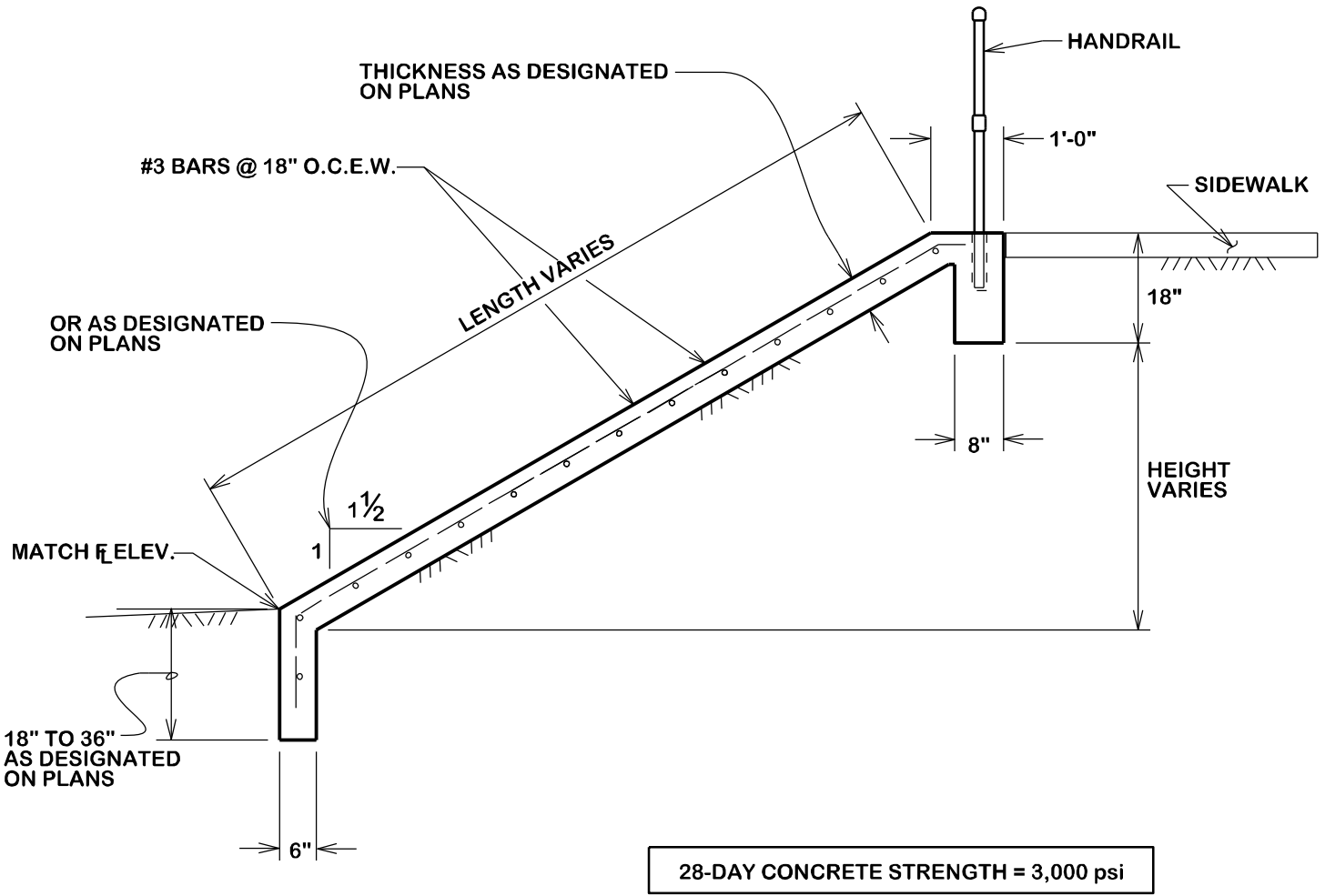


NOTE:
 18" TOE WALL TO BE CONSTRUCTED
 AT BEGINNING & END OF CONCRETE
 DITCH LINING & RIP-RAP SECTIONS.



CONCRETE SIDE SLOPE PROTECTION



DATE
AUG. 2012

B/CS UNIFIED STANDARD DETAIL

DETAIL NO.
D2-03

