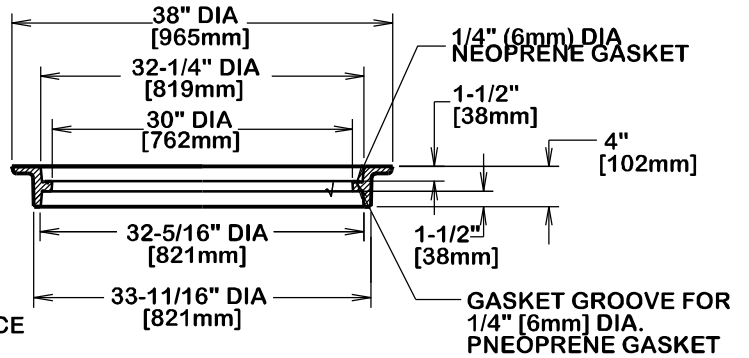
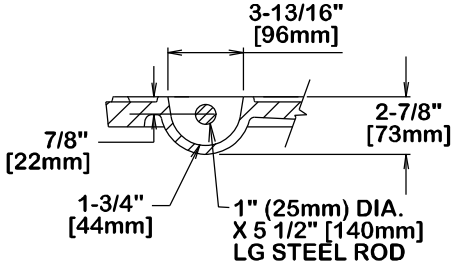


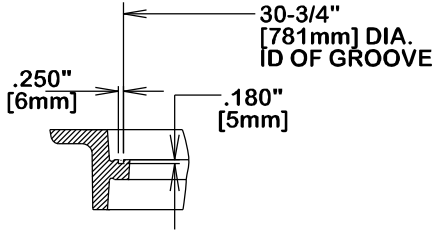
COVER SECTION



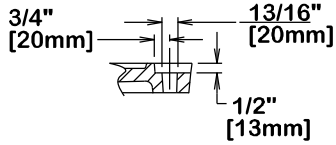
FRAME SECTION



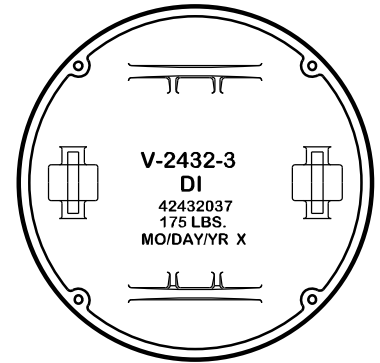
PICKBAR DETAIL



MACHINE GROOVE DETAIL

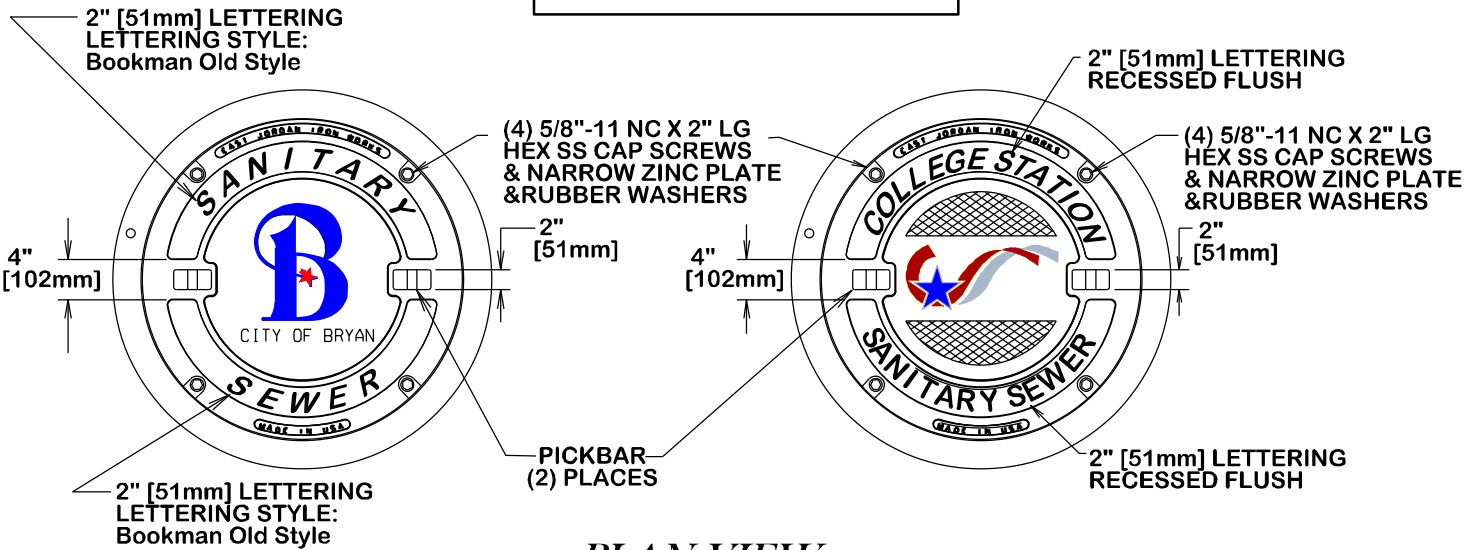


BOLT HOLE SECTION



BOTTOM VIEW

NOTE:
CITY SPECIFIC SANITARY SEWER LIDS TO BE USED FOR PUBLIC SEWER SYSTEMS ONLY. NOT TO BE USED ON PRIVATE SEWER SYSTEMS.



PLAN VIEW

DUCTILE IRON V-2432-3



CITY OF BRYAN
The Good Life, Texas Style.

WATER TIGHT MANHOLE RIGN AND COVER

DATE

AUG. 2012

B/CS UNIFIED STANDARD DETAIL

DETAIL NO.

S4-02



CITY OF COLLEGE STATION