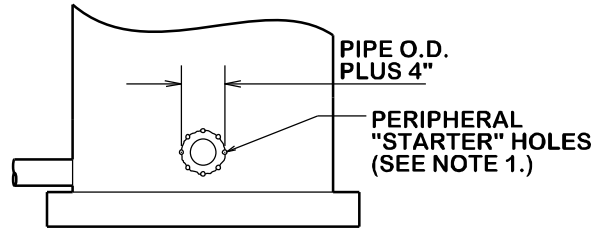
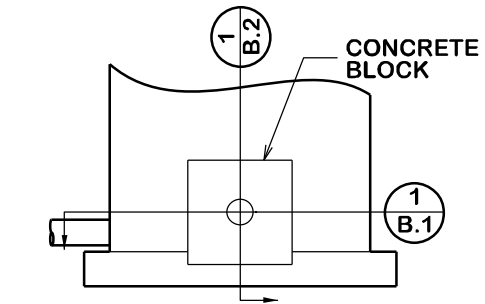


**NOTES:**

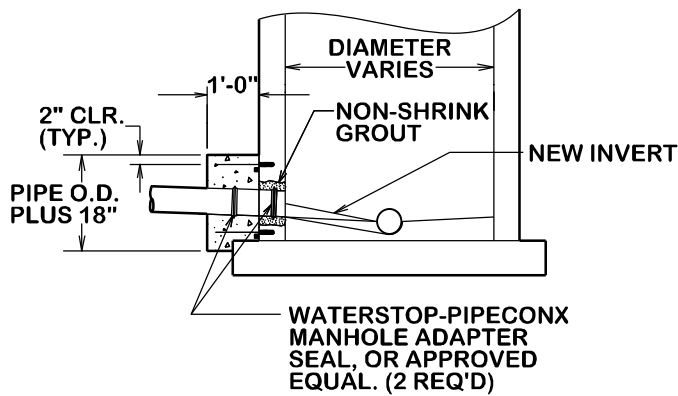
1. 1" DIA. "STARTER" HOLES SHALL BE DRILLED THROUGH WALL OF EXISTING MANHOLE SPACED 3" APART CENTER TO CENTER. AFTER "STARTER" HOLES HAVE BEEN INSTALLED AND APPROVED BY A CITY INSPECTOR, THE CONTRACTOR SHALL BEGIN REMOVING THE CONCRETE INSIDE THE PERIPHERAL "STARTER" HOLES. CONCRETE SHALL BE REMOVED WITH PNEUMATIC HAND TOOLS.
2. THE NUMBER OF REBAR DOWELS SHALL VARY WITH SIZE OF OPENING. REBAR SHALL NOT BE SPACED MORE THAN 12" CC.
3. WATERSTOP SHALL BE INSTALLED IN STRICT ACCORDANCE WITH MANUFACTURERS REQUIREMENTS.
4. CONCRETE SHALL BE 3,000 P.S.I.



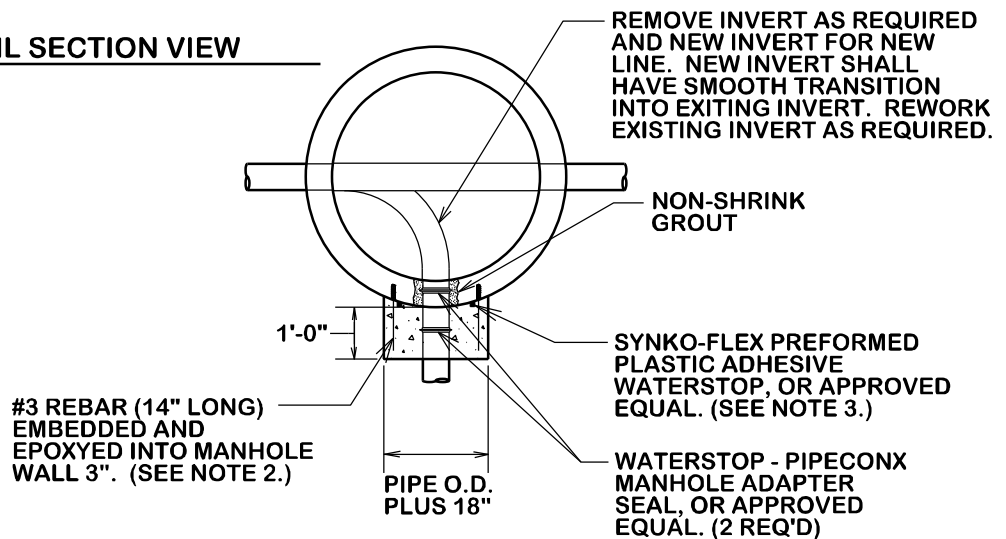
**1**  
**A** **OPENING CREATION DETAIL**



**1**  
**B** **MANHOLE CONNECTION DETAIL**



**1**  
**B.2** **CONNECTION DETAIL SECTION VIEW**



**1**  
**B.1** **CONNECTION DETAIL SECTION VIEW**



**CITY OF BRYAN**  
*The Good Life, Texas Style.*

# STANDARD MANHOLE TIE-IN

DATE

**AUG. 2012**

**B/CS UNIFIED  
STANDARD DETAIL**

DETAIL NO.

**S3-01**



**CITY OF COLLEGE STATION**