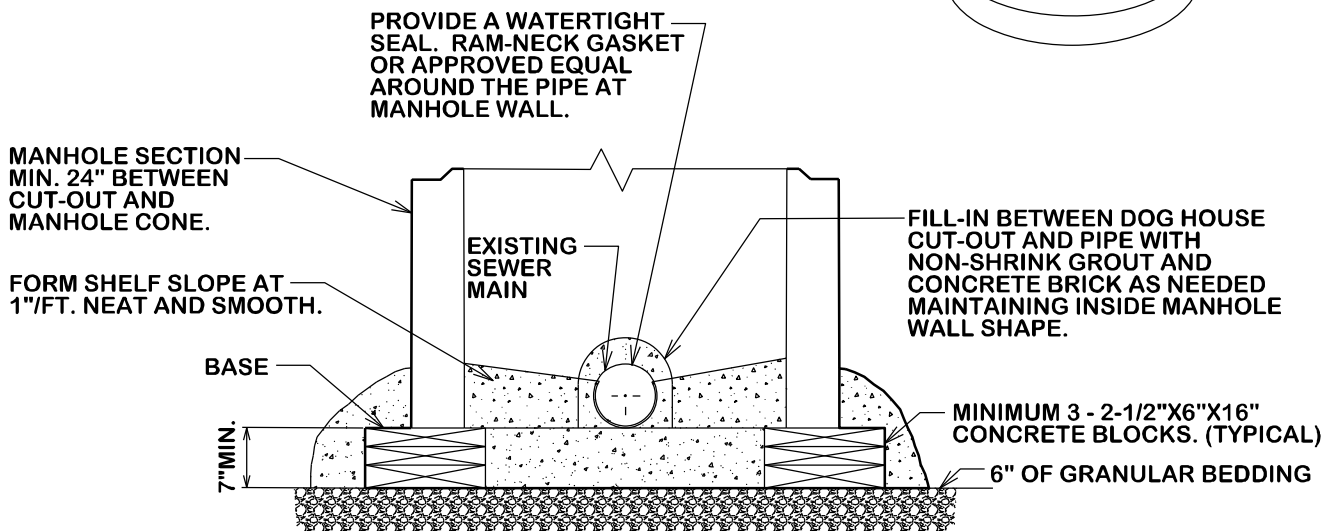
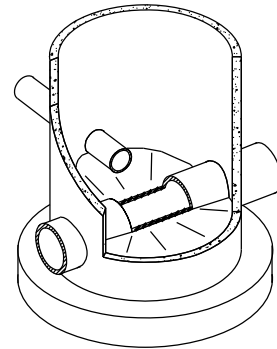


NOTES:

1. FLOW SHALL BE MAINTAINED DURING CONSTRUCTION.
2. THIS DETAIL TO BE USED WHEN A 6" OR LARGER LATERAL NECESSITATES CONSTRUCTION OF A NEW MANHOLE.
3. FOR ADDITIONAL STANDARDS NOT SHOWN, SEE "STANDARD MANHOLE" DETAIL S1-02.
4. CONTRACTOR SHALL BE RESPONSIBLE FOR SUPPORT OF EXISTING SEWER DURING INSTALLATION OF MANHOLE.
5. DOGHOUSE OPENING MAY ONLY BE USED WHEN PLACING A NEW MANHOLE OVER AN EXISTING LINE; OTHERWISE, THE OPENING MUST BE CAST. SIZE, LOCATION, AND ANGLE OF ENTRY SHALL BE AS REQUIRED BY THE PLANS.
6. EXCAVATE TRENCH TO MIN. 13" BELOW BOTTOM OF EXISTING PIPE, COMPACT SUBGRADE. PLACE AND COMPACT 6" OF GRANULAR BEDDING. MONOLITHIC POUR OF MIN. 7" DEPTH, 6 SACK TOPPING MIX TO BE PLACED INSIDE, UNDER, AND OUTSIDE MANHOLE BARREL FROM SURFACE OF BEDDING, AROUND CONCRETE BLOCK RISERS, TO A POINT APPROXIMATELY AT THE SPRING LINE OF THE EXIST. PIPE.
7. DURING THE SAME POUR, THE FINISH MANHOLE SHELF SHALL BE FORMED AND FINISHED AROUND THE BARREL AND EXISTING PIPE AS SHOWN.
8. AFTER CONCRETE SHELF HAS CURED, THE EXISTING PIPE SHALL BE SAW-CUT ON BOTH SIDES TO THE FINISHED SHELF GRADE AND REMOVED. THE EXISTING PIPE SHALL FORM THE TROUGH OF THE MANHOLE AS SHOWN. FILE CUT PIPE TO GIVE SMOOTH EDGES.



CITY OF COLLEGE STATION GRAVITY SEWER DOGHOUSE MANHOLE



DATE
AUG. 2012

**B/CS UNIFIED
STANDARD DETAIL**

DETAIL NO.
S3-00

